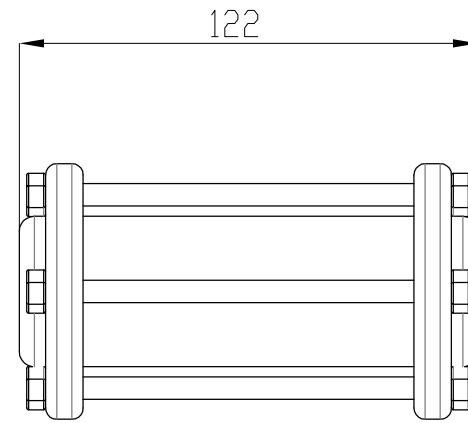
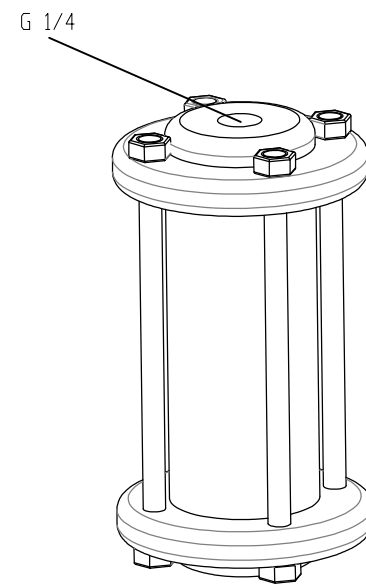


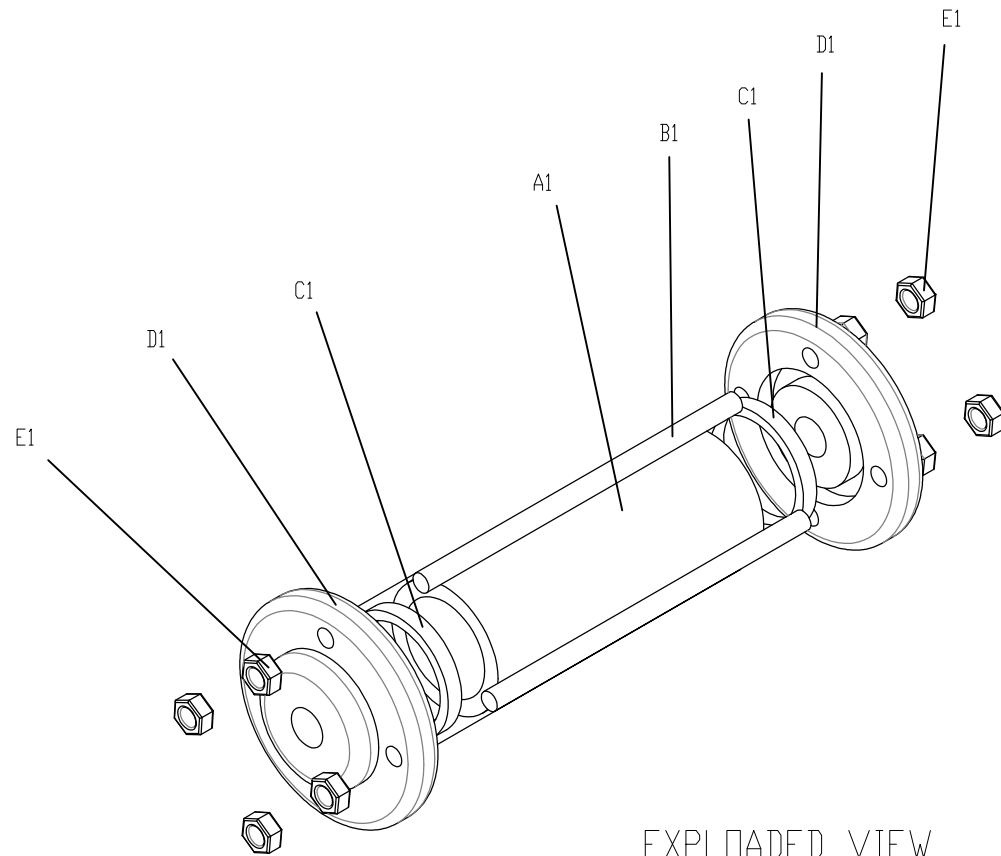
FRONT VIEW



RIGHT VIEW



ISOMETRIC VIEW



EXPLOADED VIEW

DESIGN DATA	
DESIGN	DAGGAZ LTD.
MAX OPR. PRESSURE	4 Kg/cm <sup>2</sup> g-Barg
TEST PRESSURE	6 Kg/cm <sup>2</sup> g-Barg
OPERATING TEMP.	MAX 60C MIN -15C
WEIGHT	2 kg

MATERIAL LIST				
MARK	QTY	DESCRIPTION	MATER. ASME GRADE	DWG
A1	1	GLASS	TEMPERED GLASS	-
B1	4	ASSEMBLY BOLT M6	316L-A4	-
C1	2	GASKET	VITON	-
D1	2	BODY CAP	ASTM-A312TP316L	-
E1	8	NUT M6	316L-A4	-



UNLESS OTHERWISE SPECIFIED: DIMENSIONS ARE IN MILLIMETERS		FINISH:		DEBURR AND BREAK SHARP EDGES		DO NOT SCALE DRAWING		REVISION	
NAME	SIGNATURE	DATE				TITLE:  CALIBRATION COLUMN			
DRAWN	GAYDIN								
CHK'D	H.YUKSEL								
APPV'D	M.DAGDEVIREN								
MFG									
Q.A				MATERIAL:		DWG NO. DD-CC-001		A3	
				WEIGHT:		SCALE:1:2		SHEET 1 OF 1	