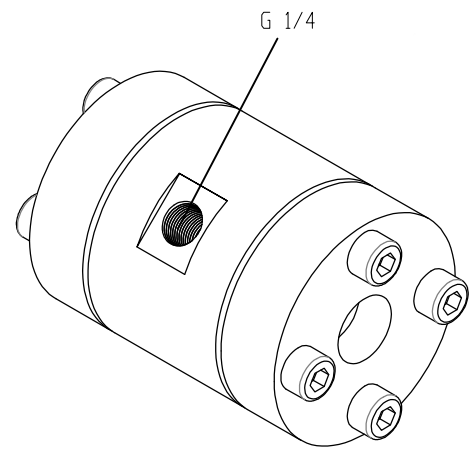
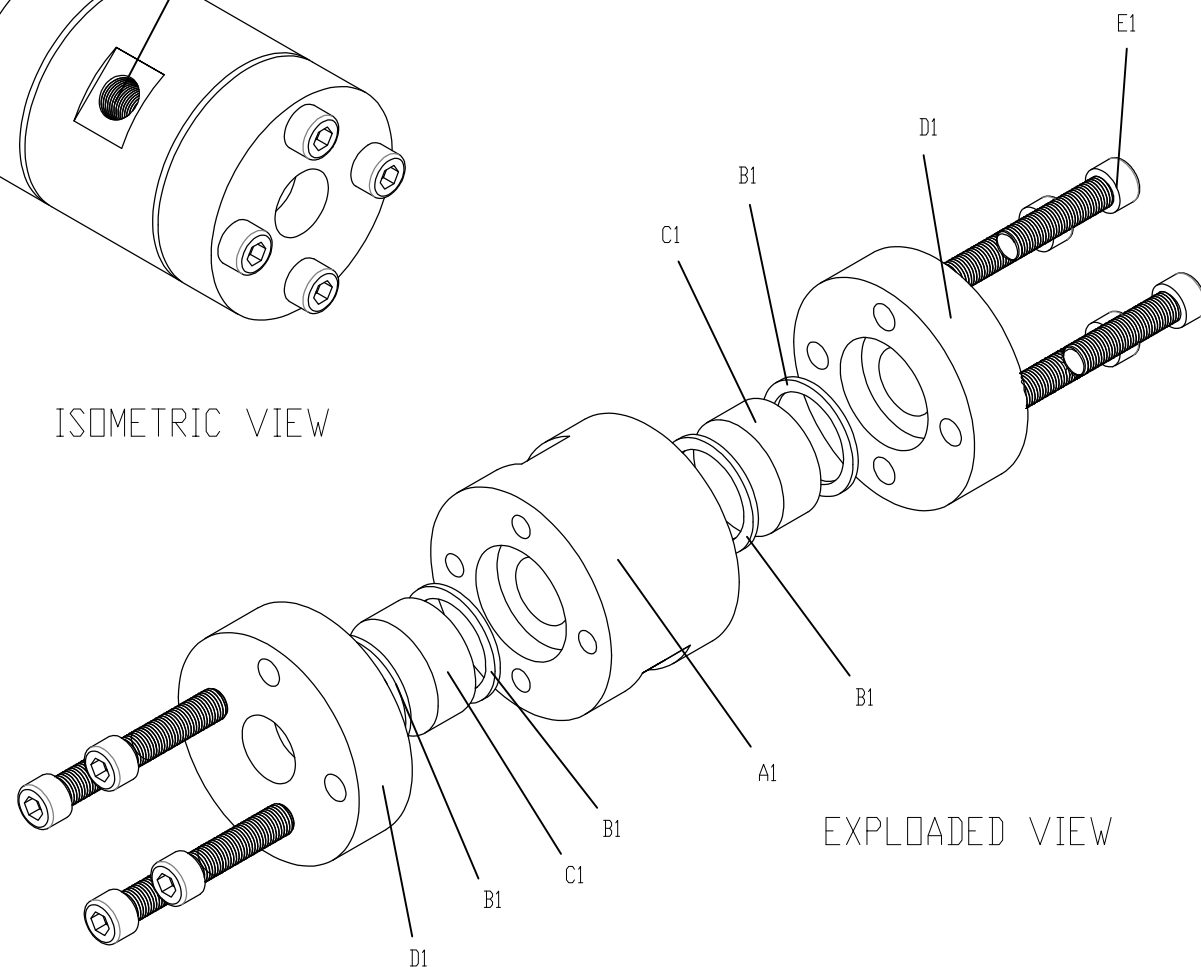


FRONT VIEW

RIGHT VIEW



ISOMETRIC VIEW



EXPLODED VIEW

DESIGN DATA	
DESIGN	DAGGAZ LTD.
MAX OPR. PRESSURE	90 Kg/cm <sup>2</sup> g-Barg
TEST PRESSURE	135 Kg/cm <sup>2</sup> g-Barg
OPERATING TEMP.	MAX 60C MIN -15C
WEIGHT	3 kg

MATERIAL LIST				
MARK	QTY	DESCRIPTION	MATER. ASME GRADE	DWG
A1	1	INDICATOR BODY	ASTM-A312TP316L	-
B1	4	GASKET	PTFE	-
C1	2	GLASS	TEMPERED GLASS	-
D1	2	BODY CAP	ASTM-A312TP316L	-
E1	8	BOLT M8X35 INBUS	316L-A4	-



UNLESS OTHERWISE SPECIFIED: DIMENSIONS ARE IN MILLIMETERS			FINISH:		DEBURR AND BREAK SHARP EDGES		DO NOT SCALE DRAWING		REVISION	
NAME	SIGNATURE	DATE			TITLE: SIGHT FLOW INDICATOR					
DRAWN	GAYDIN	07.02.2018								
CHK'D	HYUKSEL									
APPV'D	M.DAGDEVIREN									
MFG										
QA					MATERIAL: SS316		DWG NO. DO-SFI-001			
					WEIGHT:		SCALE:1:2		SHEET 1 OF 1	
									A3	